

# TECHNICAL DATA SHEET : LED DRIVER CONSTANT CURRENT

Model No : HR120WBMMMP00000

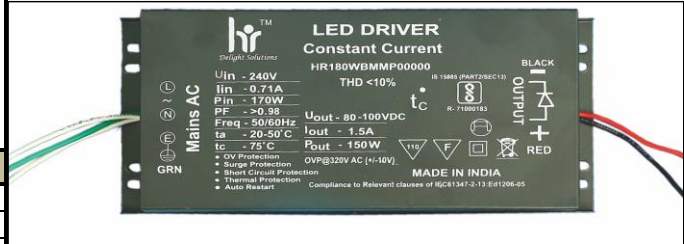


IS 15885(Part2/Sec13):2012



## PRODUCT DESCRIPTION

- Fixed output build in LED Driver.
- Constant Current LED Driver.
- Output Current 1800MA .
- Max Output Power 108W.
- Nominal Life-Time Upto 30,000 hr.
- 3-Year Warranty.
- High Voltage withstanding capacity 440V.



### Input Characteristics

|    |                             |                      |
|----|-----------------------------|----------------------|
| 1  | Voltage (Un)                | 240 Vac              |
| 2  | Operating Voltage Range     | 100 ~300 Vac         |
| 3  | Frequency (Hz)              | 50 / 60 Hz           |
| 4  | Maximum Input Current       | 0.50A                |
| 5  | Input Power (W)             | 120W                 |
| 6  | Power Factor (PF)           | > 0.98               |
| 7  | Inrush current Protection   | Yes                  |
| 8  | Current Harmonics (Athd)    | < 10%                |
| 9  | Surge Withstanding Capacity | 4 KV                 |
| 10 | Over Voltage Cutoff         | 320V (Tole : +/-10V) |
| 11 | Automatic Restart           | 300V                 |
| 12 | Driver Life                 | >30000Hrs            |

### Output Characteristics

|   |                       |
|---|-----------------------|
| Output short circuit protection and Restart | Yes                   |
| Over Current Protection                     | Yes                   |
| Thermal Protection                          | Yes                   |
| No-Load Protection                          | Yes                   |
| Max Output Current                          | 1800MA (Tole : +/-3%) |
| Output Voltage                              | 30V-60 V MAX          |
| Output Power (W)                            | 108W MAX              |
| Efficiency                                  | 88%                   |

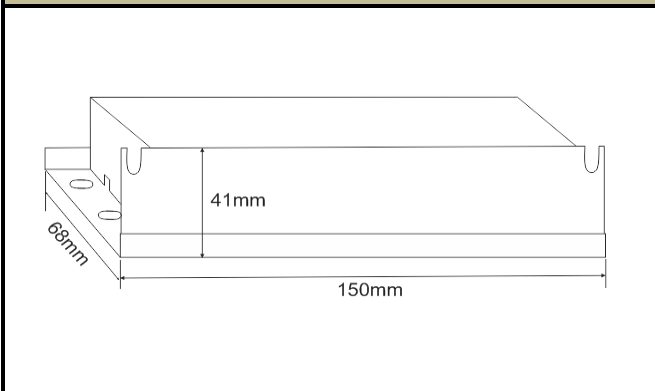
### Environmental Operating Details

|   |                              |                   |
|---|------------------------------|-------------------|
| 1 | Minimum Starting Temperature | -30°C ... 75°C    |
| 2 | Max. Ambient Temperature     | -30°C ... to 50°C |
| 3 | Max. Case temperature (Tc)   | 75°C              |

### Key Features

- Compact Design
- High Voltage withstanding capacity
- High Surge withstanding capacity
- Long Life
- High Durability
- Automatic Restart after Safe Voltage Mode.

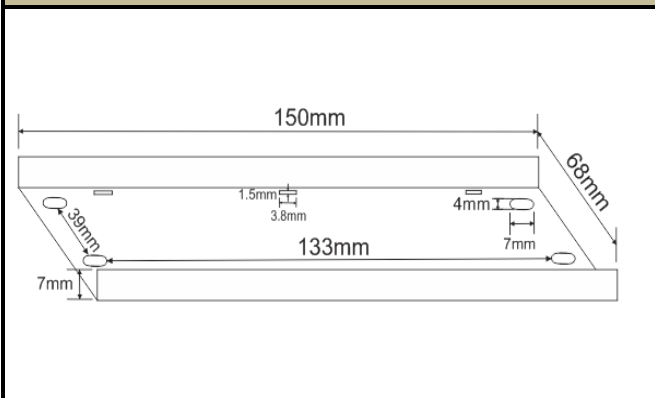
### Metal Box



### Mechanical Details

|                            |           |
|----------------------------|-----------|
| 1 Weight                   | 440gm     |
| 2 Case Dimensions          |           |
| Length W/Mount             | 184mm     |
| Center to Center (CTC)     | 139mm     |
| Width                      | 85mm      |
| Height                     | 46mm      |
| 3 Case Material            | Metal Box |
| 4 Wiring Diagram           | On Screen |
| 5 Input / Output Terminals | NA        |
| 6 Wires Length             |           |
| Input (3 CORE)             | 300mm     |
| Output (2 CORE)            | 300mm     |
| 7 Potting                  | YES IP-67 |

### Bottom



### Top

