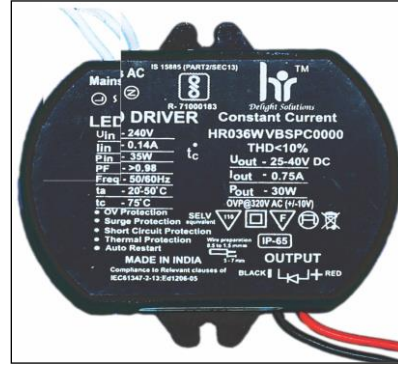



PRODUCT DESCRIPTION

- Fixed output build in LED Driver.
- Constant Current LED Driver.
- Output Current 550MA .
- Max Output Power 38W.
- Nominal Life-Time Upto 30,000 hr.
- 3-Year Warranty.
- High Voltage withstanding capacity 440V.


Input Characteristics

| | | |
|----|-----------------------------|----------------------|
| 1 | Voltage (Un) | 240 Vac |
| 2 | Operating Voltage Range | 100 ~300 Vac |
| 3 | Frequency (Hz) | 50 / 60 Hz |
| 4 | Maximum Input Current | 0.17A |
| 5 | Input Power (W) | 40W |
| 6 | Power Factor (PF) | > 0.98 |
| 7 | Inrush current Protection | Yes |
| 8 | Current Harmonics (Athd) | < 10% |
| 9 | Surge Withstanding Capacity | 4KV |
| 10 | Over Voltage Cutoff | 320V (Tole - +/-10V) |
| 11 | Automatic Restart | 300V |
| 12 | Driver Life | >30000Hrs |

Output Characteristics

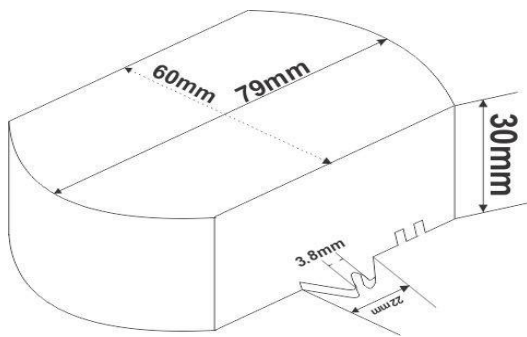
| | |
|---|----------------------|
| Output short circuit protection and Restart | Yes |
| Over Current Protection | Yes |
| Thermal Protection | Yes |
| No-Load Protection | Yes |
| Max Output Current | 550mA (Tole - +/-3%) |
| Output Voltage | 70V |
| Output Power (W) | 38W max |
| Efficiency | 88% |

Environmental Operating Details

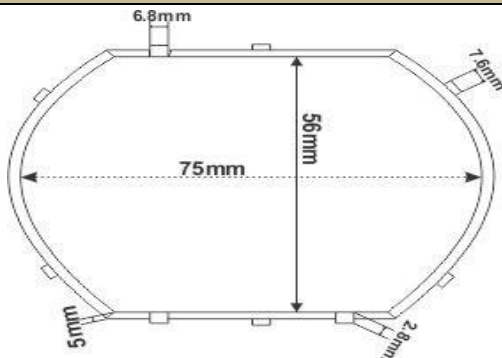
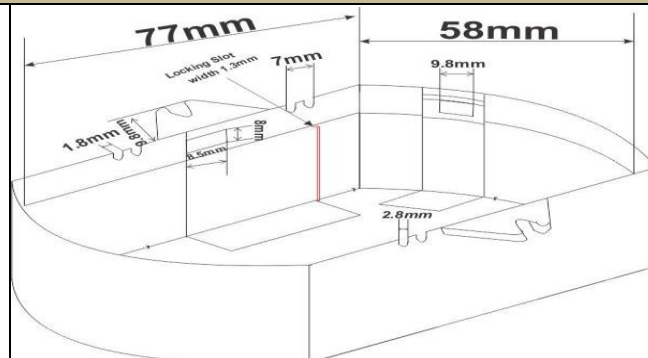
| | | |
|---|------------------------------|-------------------|
| 1 | Minimum Starting Temperature | -30°C ... 75°C |
| 2 | Max. Ambient Temperature | -30°C ... to 50°C |
| 3 | Max. Case temperature (Tc) | 75°C |

Key Features

- Compact Design
- High Voltage withstanding capacity
- High Surge withstanding capacity
- Long Life
- High Durability
- IP65
- Automatic Restart after Safe Voltage Mode.

PLASTIC BOX

Mechanical Details

| | | |
|---|--------------------------|-----------|
| 1 | Weight | 90 gm |
| 2 | Case Dimensions | |
| | Length W/Mount | 80mm |
| | Center to Center (CTC) | 75mm |
| | Width | 80mm |
| | Height | 31mm |
| 3 | Case Material | PC |
| 4 | Wiring Diagram | On Screen |
| 5 | Input / Output Terminals | Connector |
| 6 | Wires Length & Colors | |
| | Input (Yellow) | NA |
| | Output (Red & Black) | NA |
| 7 | Potting | Yes IP-67 |

BOTTOM

TOP


IS15885 (PART2/SEC13) R-71000183

Add:-SR.NO. 14, Dhadge ind Estate, plot no.3 Singhgad Road, Nanded Phata, Pune-411041, Maharashtra(India)

Email : marketing@hrindustry.net

harish@hrindustry.net
support@hrindustry.net

web : www.hrindustry.net

contact no. : +91 9049378851 , 020 65209702,8668334832