



## TECHNICAL DATA SHEET : LED DRIVER CONSTANT CURRENT

Model No : HR1200MA040VBMS



### PRODUCT DESCRIPTION

- Fixed output build in LED Driver.
- Constant Current LED Driver.
- Output Current 1200 mA .
- Max Output Power 48 W.
- Nominal Life-Time Upto 30,000 hr.
- 3-Year Warranty.
- High Voltage withstanding capacity 440V.



### Input Characteristics

|    |                             |                       |
|----|-----------------------------|-----------------------|
| 1  | Voltage (Un)                | 240 Vac               |
| 2  | Operating Voltage Range     | 100 ~300 Vac          |
| 3  | Frequency (Hz)              | 50 / 60 Hz            |
| 4  | Maximum Input Current       | 0.22 A                |
| 5  | Input Power (W)             | 54 W                  |
| 6  | Power Factor (PF)           | > 0.99                |
| 7  | Inrush current Protection   | Yes                   |
| 8  | Current Harmonics (Athd)    | < 10%                 |
| 9  | Surge Withstanding Capacity | 4 KV                  |
| 10 | Over Voltage Cutoff         | 320V (Tole : +/- 10V) |
| 11 | Automatic Restart           | 310V                  |
| 12 | Driver Life                 | >30000Hrs             |

### Output Characteristics

|   |                        |
|---|------------------------|
| Output short circuit protection and Restart | Yes                    |
| Over Current Protection                     | Yes                    |
| Thermal Protection                          | Yes                    |
| No-Load Protection                          | Yes                    |
| Max Output Current                          | 1200 mA (Tole : +/-3%) |
| Output Voltage                              | 40 V                   |
| Output Power (W)                            | 48 W max               |
| Efficiency                                  | 89%                    |

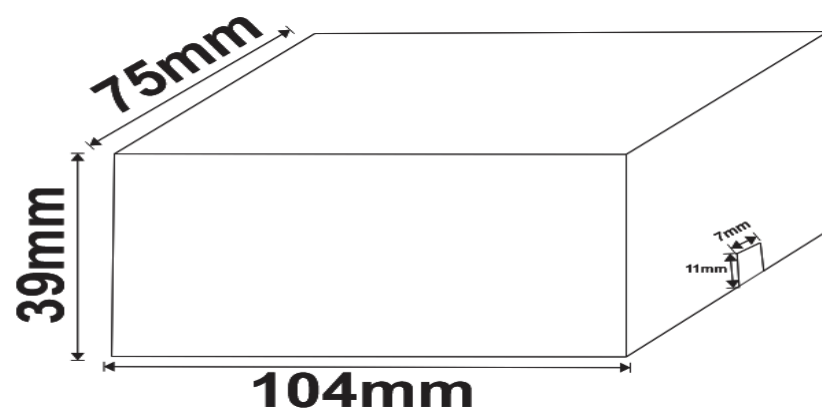
### Environmental Operating Details

|   |                              |                   |
|---|------------------------------|-------------------|
| 1 | Minimum Starting Temperature | -30°C ... 75°C    |
| 2 | Max. Ambient Temperature     | -30°C ... to 50°C |
| 3 | Max. Case temperature (Tc)   | 75°C              |

### Key Features

- Compact Design
- High Voltage withstanding capacity
- High Surge withstanding capacity
- Long Life
- High Durability
- Automatic Restart after Safe Voltage Mode.

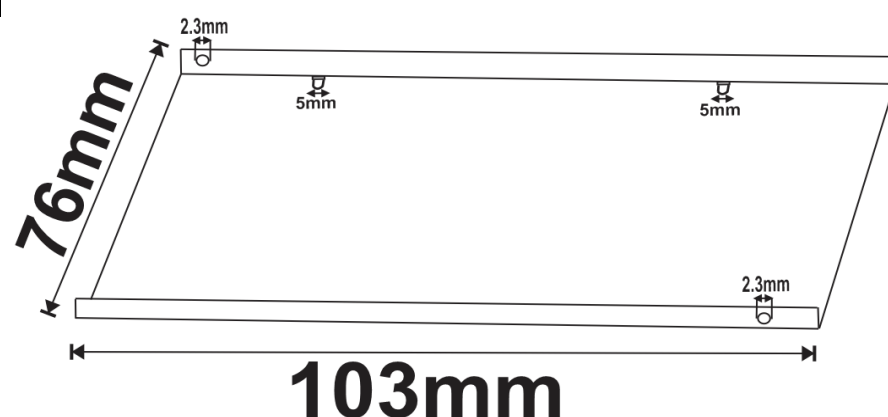
### Metal Box



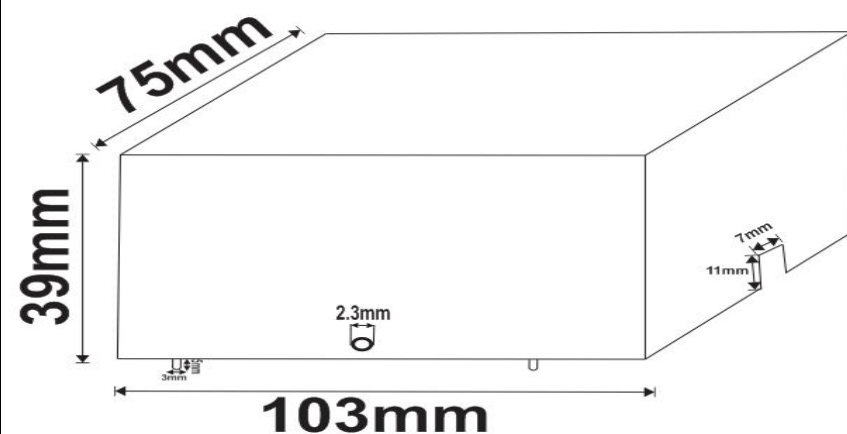
### Mechanical Details

|   |                          |           |
|---|--------------------------|-----------|
| 1 | Weight                   | 250gm     |
| 2 | Case Dimensions          |           |
|   | Length W/Mount           | 104mm     |
|   | Center to Center (CTC)   | -         |
|   | Width                    | 75mm      |
|   | Height                   | 39mm      |
| 3 | Case Material            | Metal Box |
| 4 | Wiring Diagram           | On Screen |
| 5 | Input / Output Terminals | Connector |
| 6 | Wires Length & Colors    |           |
|   | Input (Yellow)           | NA        |
|   | Output (Red & Black)     | NA        |
| 7 | Potting                  | NA        |

### Bottom



### Top



Add:-SR.NO. 14, Dhadge ind Estate, plot no.3 Singhgad Road, Nanded Phata, Pune-411041, Maharashtra(India)

Email : [marketing@hrindustry.net](mailto:marketing@hrindustry.net)

[harish@hrindustry.net](mailto:harish@hrindustry.net)

[support@hrindustry.net](mailto:support@hrindustry.net)

web : [www.hrindustry.net](http://www.hrindustry.net)

contact no. : +91 9049378851 , 020 65209702